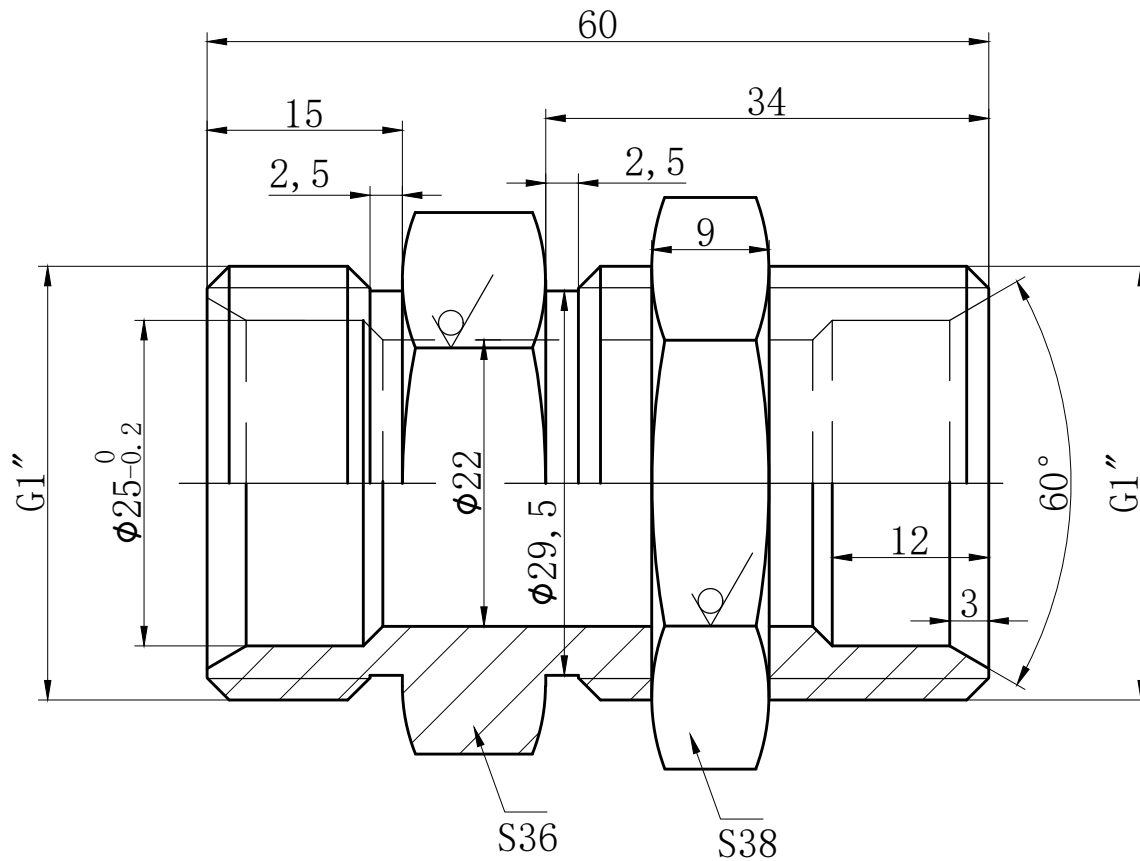


3.2/



					Bulkhead unions 1"			
				MATERIAL	316			
				DATE	2022. 11. 17	QINGDAO MR METALS CO., LTD		